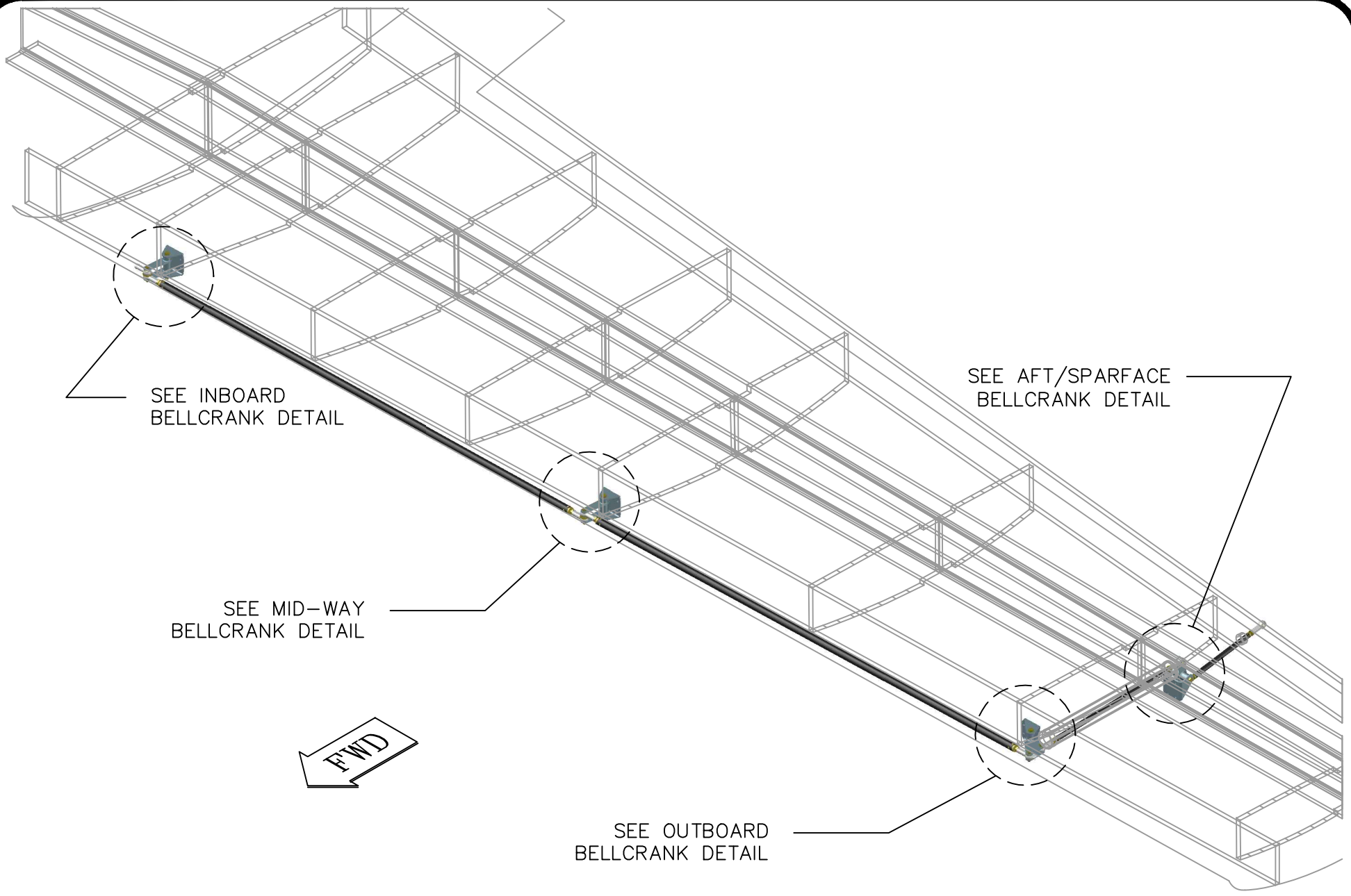


June 15, 2010
RG Wing_5-31-2010.dwg



SEE INBOARD
BELLCRANK
DETAIL

SEE AFT/SPARFACE
BELLCRANK
DETAIL

SEE MID-WAY
BELLCRANK
DETAIL

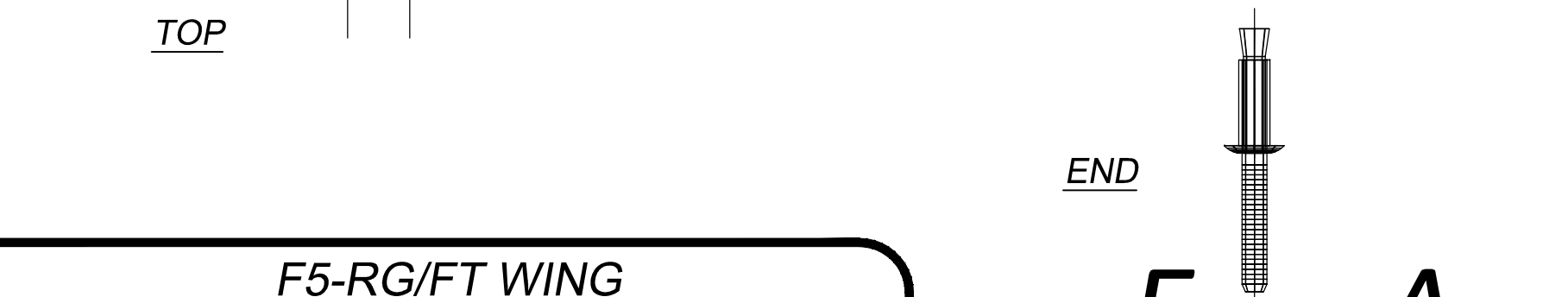
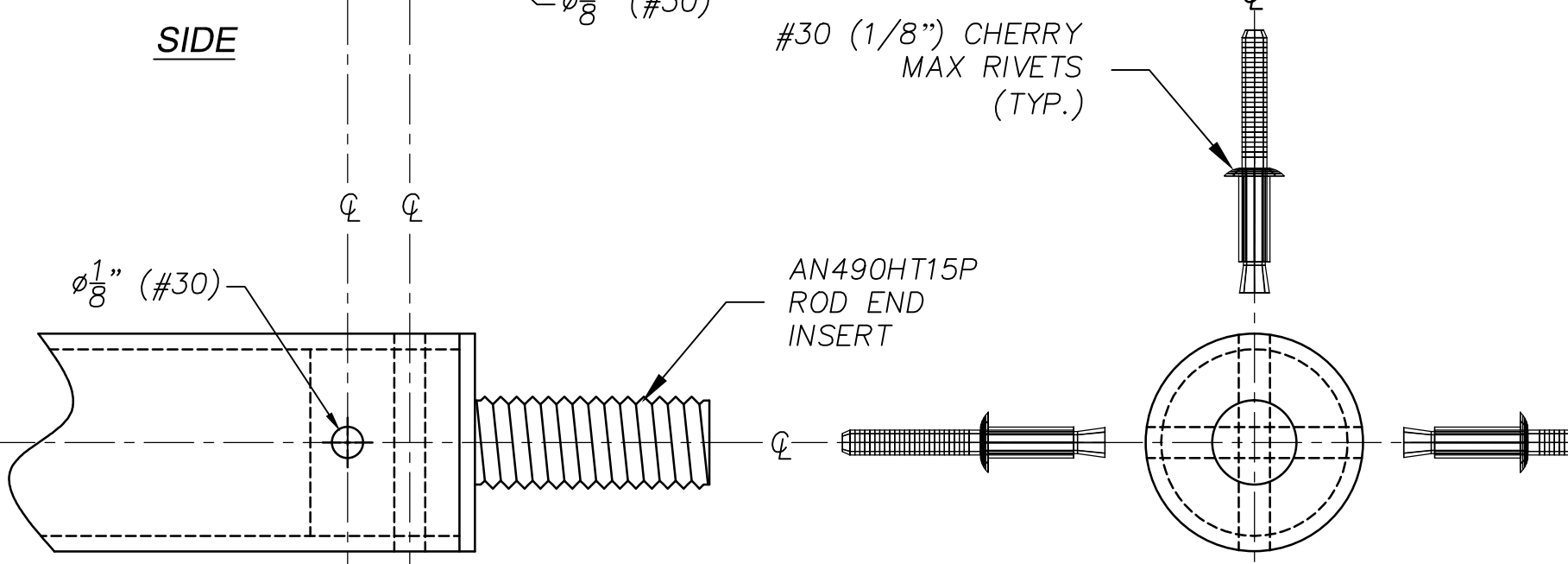
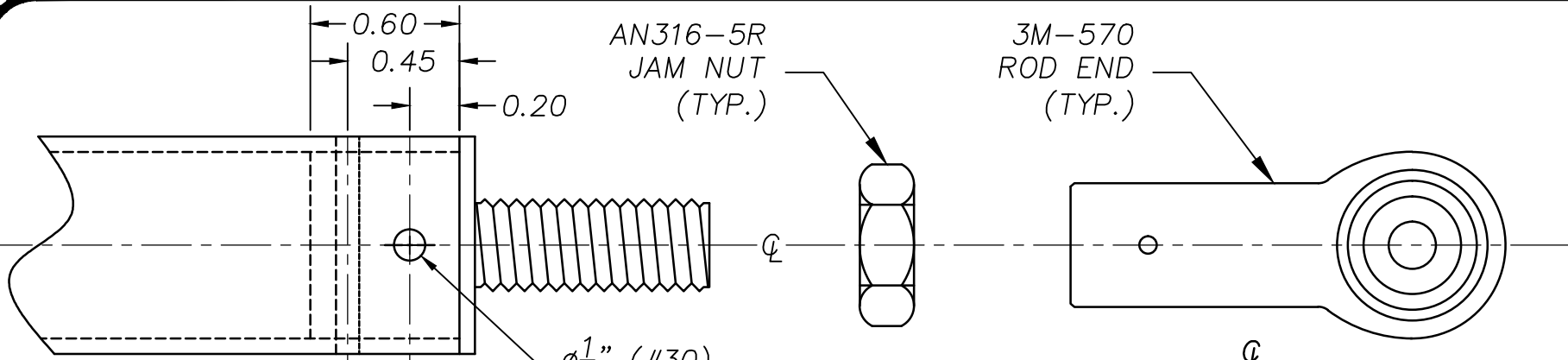


SEE OUTBOARD
BELLCRANK
DETAIL

F5-RG/FT WING
AILERON ASSEMBLY

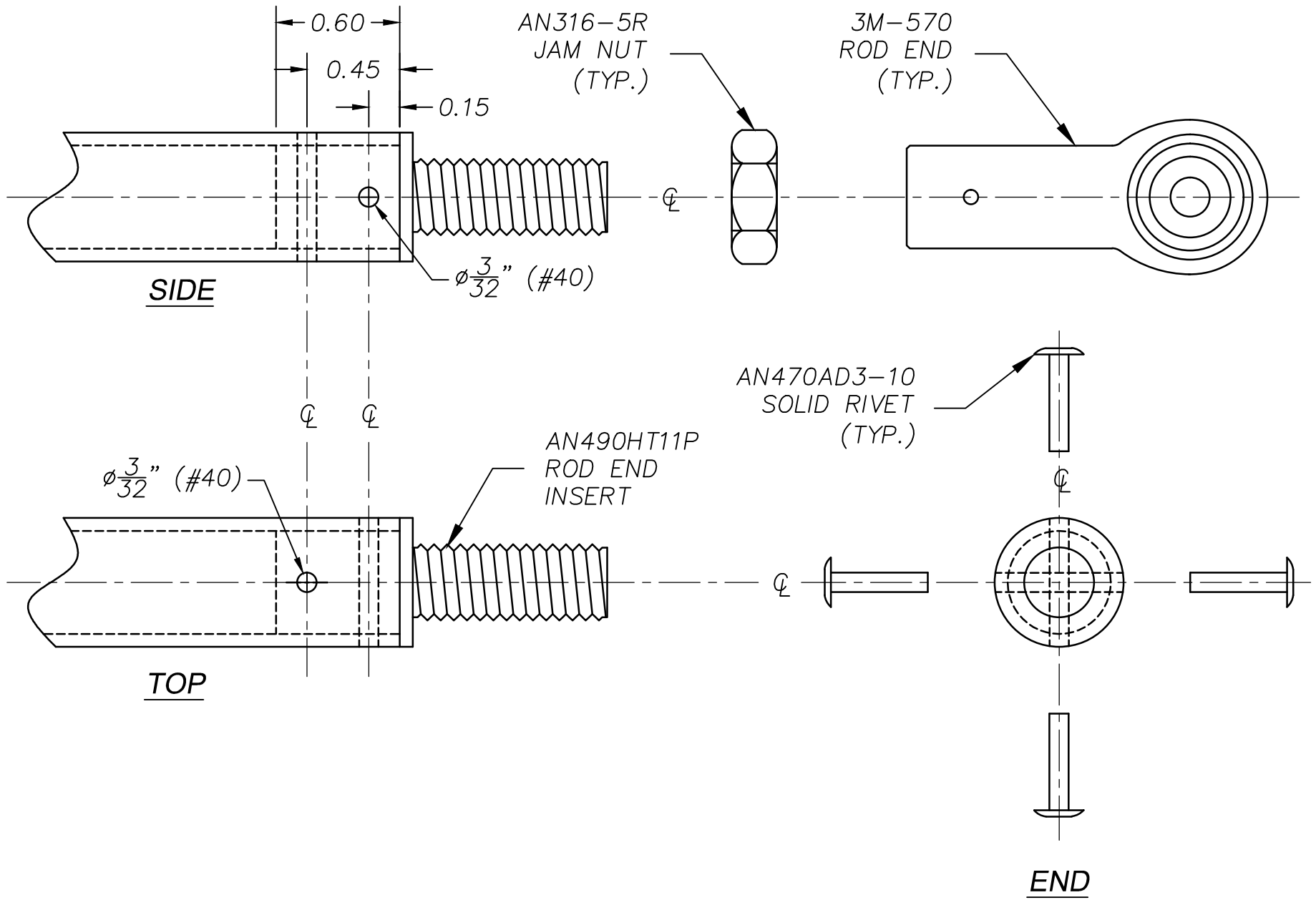
EXPRESS **A**IRCRAFT

3.050_Push_Pull_Rods.dwg June 15, 2010



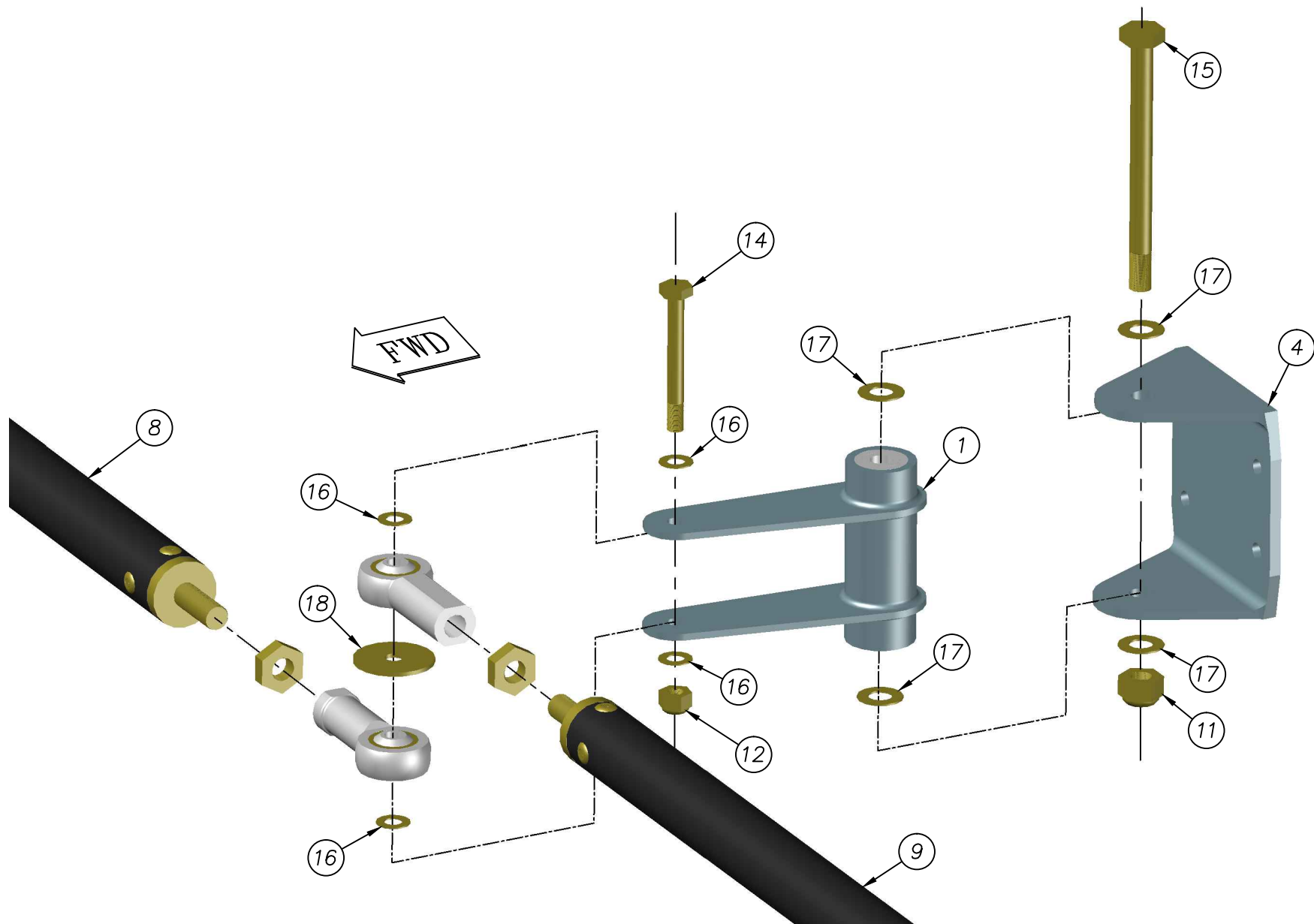
F5-RG/FT WING
AILERON 3/4" PUSH/PULL TUBE ASSEMBLY





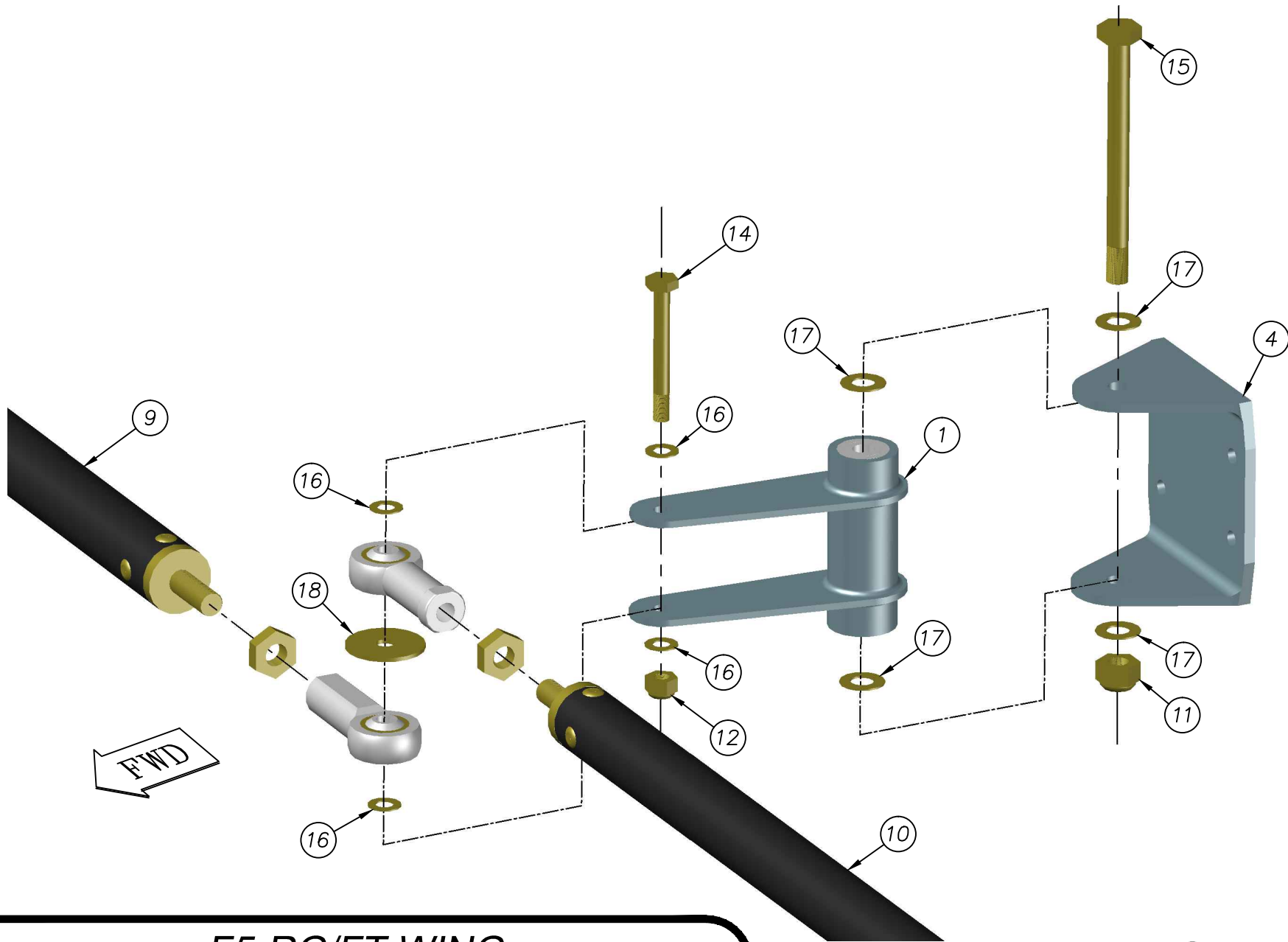
F5-RG/FT WING
AILERON 1/2" PUSH/PULL TUBE ASSEMBLY





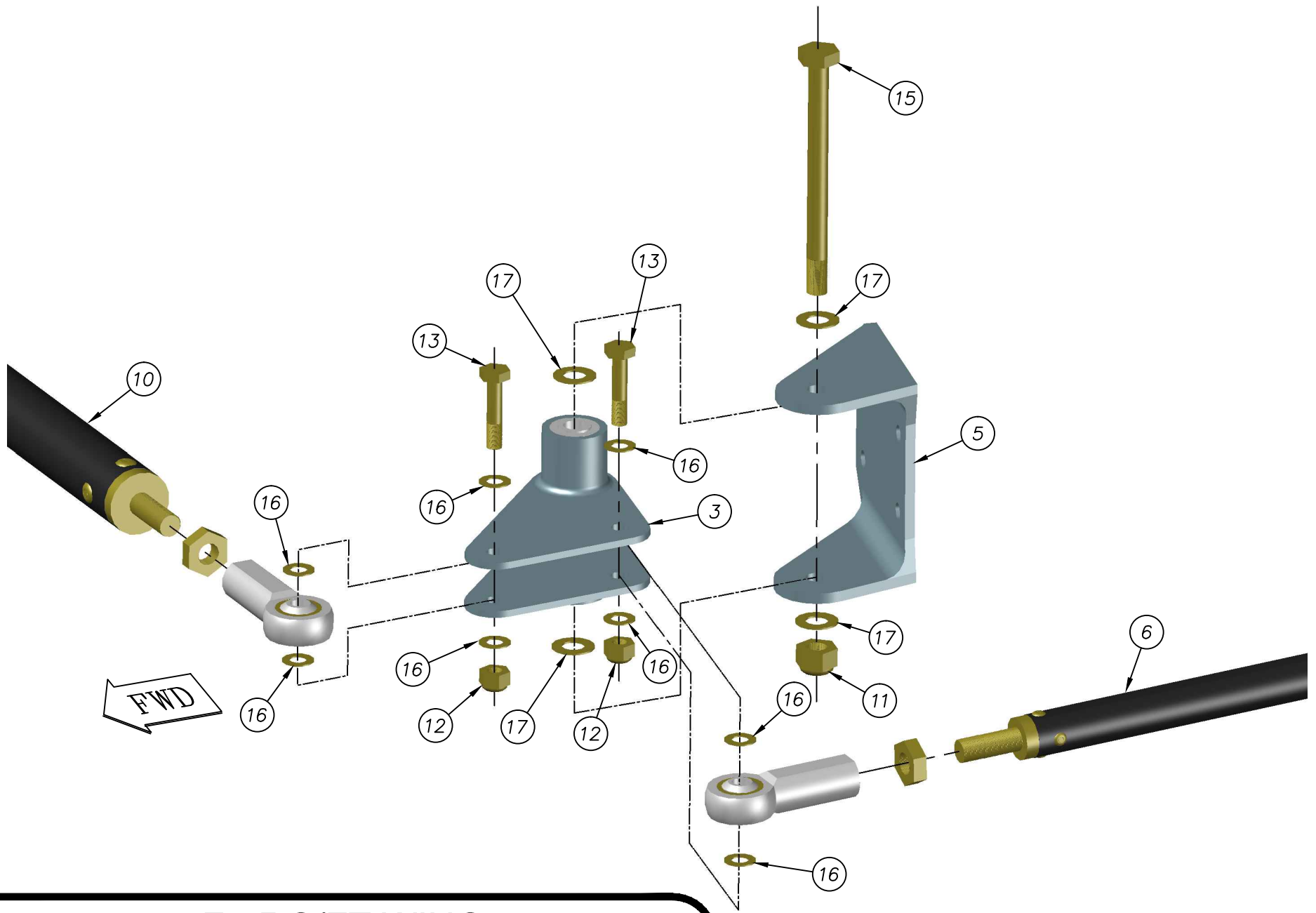
F5-RG/FT WING
AILERON INBOARD BELLCRANK ASSEMBLY

June 15, 2010
Bellcrank Mid-way.dwg



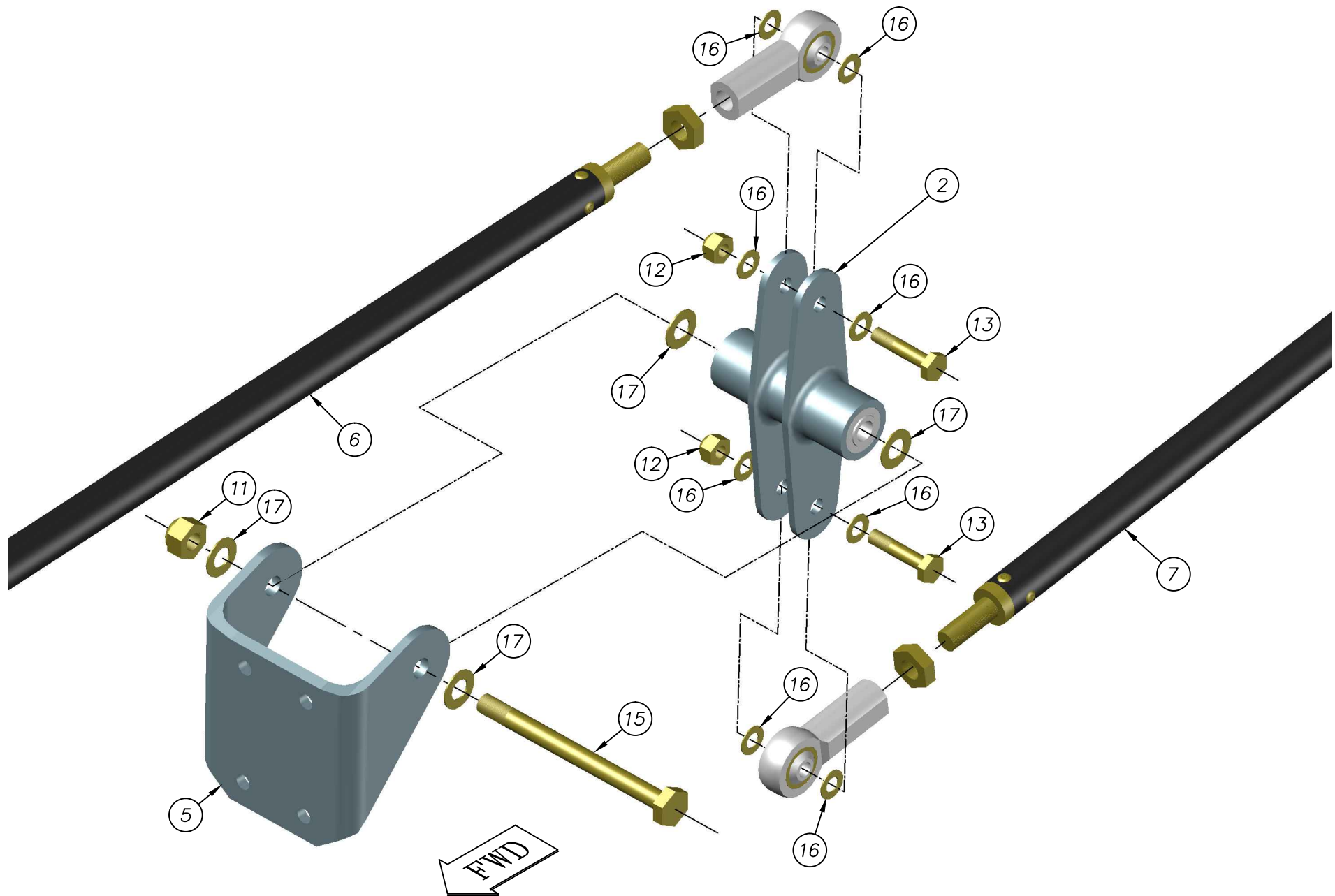
F5-RG/FT WING
AILERON MID-WAY BELLCRANK ASSEMBLY

EXPRESS **A**IRCRAFT



F5-RG/FT WING
AILERON OUTBOARD BELLCRANK ASSEMBLY

EXPRESS **A**IRCRAFT



F5-RG/FT WING
AILERON AFT SPARFACE BELLCRANK ASSEMBLY

F5-RG/FT WING AILERON LINKAGE PARTS

#	PART NO.	DESCRIPTION	LOCATION
1	311-24-005	BELLCRANK	INBOARD & MID-WAY
2	311-24-006	BELLCRANK	AFT SPARFACE
3	311-24-007	BELLCRANK	OUTBOARD
4	311-24-013	BELLCRANK BRACKET	INBOARD & MID-WAY
5	311-24-018	BELLCRANK BRACKET	OUTBOARD & AFT SPARFACE
6	311-24-101	PUSH/PULL TUBE	THRU-TUBE TO AFT SPARFACE BELLCRANK
7	311-24-102	PUSH/PULL TUBE	AFT SPARFACE BELLCRANK TO CENTER AILERON HINGE
8	311-24-106	PUSH/PULL TUBE	INBOARD
9	311-24-108	PUSH/PULL TUBE	MID-WAY
10	311-24-109	PUSH/PULL TUBE	OUTBOARD
11	AN 428	NYLOC NUT	
12	AN3-1032	NYLOC NUT	
13	AN3-11A	BOLT	
14	AN3-15A	BOLT	
15	AN4-26	BOLT	
16	AN960-10	WASHER	
17	AN960-416L	WASHER	
18	AN970-4	WASHER	

NOTE:

1. ALL BELLCRANKS SHIPPED PRE-ASSEMBLED WITH:
 - (2) TIMKEN J-68 ROLLER BEARINGS
 - (1) 311-24-004 SPACER SLEEVE
2. SEE PUSH/PULL TUBE DETAILS FOR ROD END PARTS AND ASSEMBLY

F5-RG/FT WING
AILERON LINKAGE PARTS LIST

EXPRESS **A**IRCRAFT